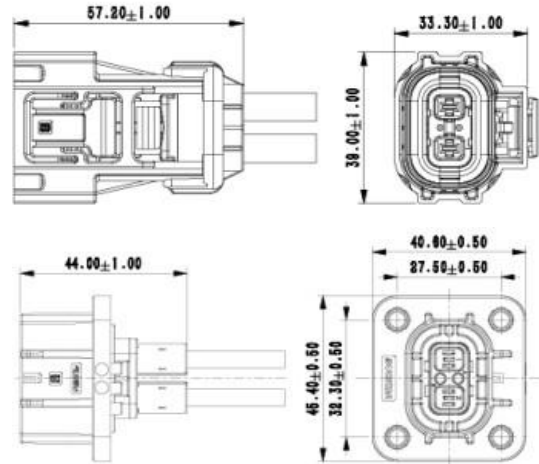


Model No. : AR-DH1-2P28-XXXX / AR-DH1-2R28-XXXX
 Product Name : TWO-CORE 280 PLASTIC CONNECTOR



Product application :

- Mainly used in electric vehicles, PDU, DC/DC, PTC, oil pump, air pump

Characteristic

- Simple installation, reliable connection and easy disassembly
- Use plastic case, low cost and high output
- Built-in high-voltage interlock function, with two-stage interlocking interlock structure, limited protection automotive high-voltage circuit
- A variety of foolproof keys can be selected

Electrical Performance

- Rated voltage : 1000V DC
- Rated current : 25A (Max)
- Insulation resistance : >500MΩ
- Terminal temperature rise : ≤ 50K
- Withstand Voltage : 3000V AC
- Shielding effectiveness : 360° shielding

Mechanical properties

- Wiring range : 2.5mm²-4mm²
- Crimp method : Type B crimp
- Installation method : Screw lock
- Plug and play life : >150 times

Environmental performance

- Operating temperature : -40°C ~ +125°C
- Protection class : IP67

Model selection table

Key position / Wire diameter	A	B	C	D	E	
2.5MM ²	DH1-2P28-A025	DH1-2P28-B025	DH1-2P28-C025	DH1-2P28-D025	DH1-2P28-E025	Plug
	DH1-2R28-A025	DH1-2R28-B025	DH1-2R28-C025	DH1-2R28-D025	DH1-2R28-E025	Socket
4MM ²	DH1-2P28-A04	DH1-2P28-B04	DH1-2P28-C04	DH1-2P28-D04	DH1-2P28-E04	Plug
	DH1-2R28-A04	DH1-2R28-B04	DH1-2R28-C04	DH1-2R28-D04	DH1-2R28-E04	Socket