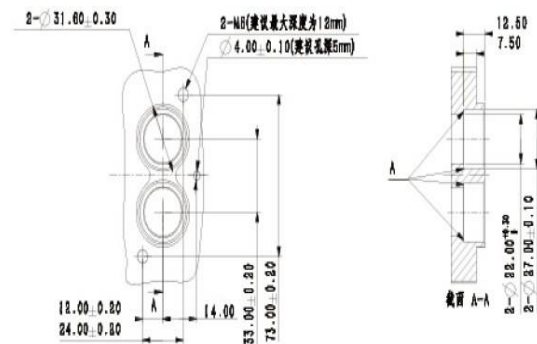
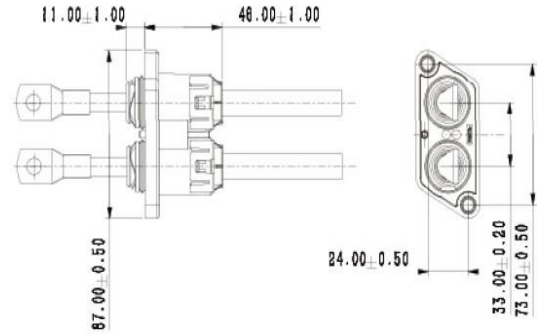




Model No. : AR-DH3-2P-AXX

Product Name : TWO-CORE THROUGH HOLE CONNECTOR



**Product application :**

- Mainly used in electric car battery boxes, motor drives

**Characteristic**

- Simple installation, reliable connection and easy disassembly
- Use plastic case, low cost and high output

**Electrical Performance**

- Rated voltage : 1000V DC
- Rated current : 200A (Max)
- Insulation resistance : >500MΩ
- Terminal temperature rise : ≤50K
- Withstand Voltage : 3000V AC
- Shielding effectiveness : 360° shielding

**Environmental performance**

- Operating temperature : -40℃~+125℃
- Protection class : IP67

**Mechanical properties**

- Wiring range : 25mm<sup>2</sup>-50mm<sup>2</sup>
- Crimp method : Hexagonal cold crimp
- Installation method : Screw lock

**Model selection table**

Key position / Wire diameter	A	Current specification
50MM <sup>2</sup>	DH3-2P-A50	200A
35MM <sup>2</sup>	DH3-2P-A35	150A
25MM <sup>2</sup>	DH3-2P-A25	120A