

Model No. : ATC6K6-220S380-W
Product Name : 6.6KW OBC Liquid



6.6KW OBC Liquid

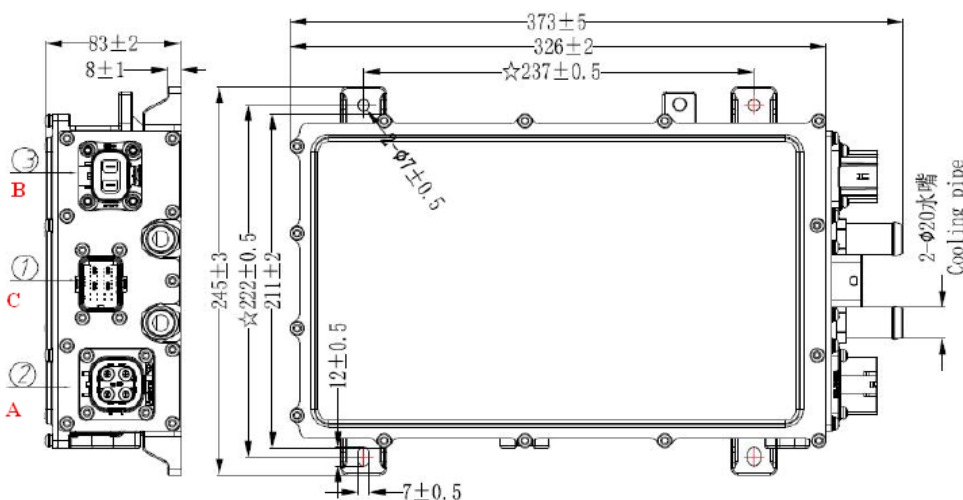
★ Features

- 1 Charging Standard: SAE
- 2 Output Power : 6.6KW
- 3 Input Voltage : 85-265VAC
- 4 Output Voltage : 200~450VDC
- 5 Dimensions : 326X211X83mm
- 6 Cooling System : Liquid
- 7 Communication Method : CAN-BUS
- 8 Enclosure: Aluminum alloy made
- 9 Software: Digital software design
- 10 Weight: ≤8KG
- 11 Meet SAEJ1772 standard

Specification

Description	Technical specifications	Remark
Operating temperature	-40~85°C	Working for long time
Rated output power	6.6KW	
Input voltage range	85~265VAC	
Output voltage range	200~450VDC	
Maximum output current	20A	
Auxiliary power VCC	9-32VDC	VCC
Efficiency	≥94%	@Nominal voltage
Voltage accuracy	±1%	
Current accuracy	±3%	
Low voltage Wake up	200mAmax (WAKE_UP signal)	Wake up BMS/VCU
Wake up method	AC, PP/CP, EN(Hard wire enable)	Support reserve charging
Communication method	CAN-BUS	
Quiescent Current	≤2mA	Battery current consumption during sleep/stop
Protection characteristics	Input OVP/UVP, output OVP/UVP,OTP,OCP, output short-circuit protection, CAN communication breakdown protection	
Electromagnetic compatibility characteristics	GB/T 18387-2008, EN 55022	
Dimensions	326x211x83mm	
IP Level	IP67	
Cooling method	Liquid, flow rate ≥6L/min	
Weight	≤8KG	
CAN byte speed	250Kbps/500Kbps (Optional)	
CANbus matrix protocol	Motorola or Intel (Optional)	

Structural parameters

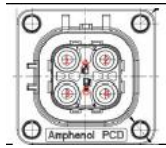
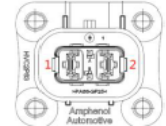
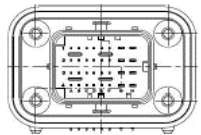


Model No. : ATC6K6-220S380-W
Product Name : 6.6KW OBC Liquid

Connector information

Position	Function	Maker	Receptacle model	Plug model
A	AC input	Amphenol	HVSL364024A	HVSL364064A106I
B	DC output	Amphenol	HVC2P63MV406	HVC2P63FS406
C	Signal control	TE	2334366-2	2137299-8

Pinout definition


Connector	Pin No.	Pin Definition	Picture
AC Input	1	L	
	2	NC	
	3	NC	
	4	NETUAL	
	A	HVIL_IN	
	B	HVIL_OUT	
DC Output	1	Output +	
	2	Output -	
	A	HVIL_IN	
	B	HVIL_OUT	
Signal control	1A	CAN1-H	
	1B	CAN1-L	
	1C	EN_OBC	
	1D	NC	
	1E	PP	
	1F	CP	
	1G	VCC+	
	1H	GND	
	2A	WAKE_UP	
	2B	PP_OUT	
	2C	NC	
	2D	NC	
	2E	NC	
	2F	NC	
	2G	NC	
	2H	NC	
	3A	NTC1+	
	3B	NTC2+	
	3C	NC	
	3D	NTC-	
	3E	LOCK_FB1	
	3F	LOCK_FB2	
3G	LOCK+		
3H	LOCK-		
4A	HVIL_IN		
4B	HVIL_OUT		





Model No. : ATC6K6-220S380-W

Product Name : 6.6KW OBC Liquid

	4C	NC	
	4D	NC	
	4E	NC	
	4F	NC	
	4G	NC	
	4H	NC	