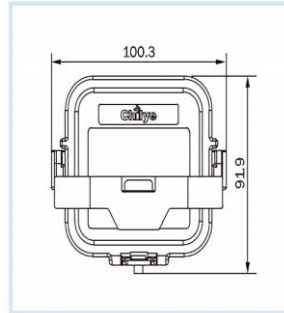


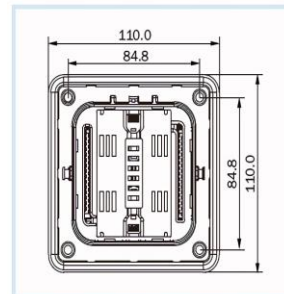
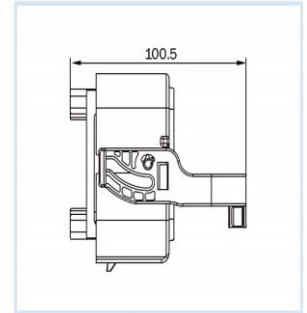


Model No. : CL-MSD700-PXXX, CL-MSD700-S, CL-MSD700-SF

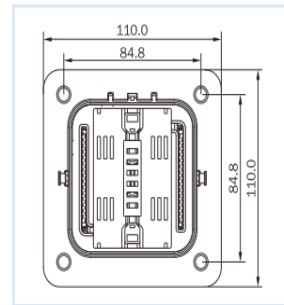
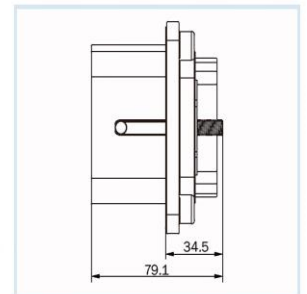
Product Name : MSD700



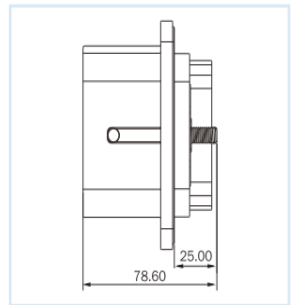
CL-MSD700-PXXX



CL-MSD700-S



CL-MSD700-SF



Application :

- Power battery pack

Description :

- Two stage unlocking design
- Fuse with various ratings available
- Finger touching safe
- Light weight, compact size
- 2 HVIL available
- Wire range: Power circuit : 25mm² -70mm²
- HVIL circuit : 0.5mm²

Performance :

- Rated voltage : 800V
- Rated current : up to 630A
- Temperature range : -40°C to +125°C
- Plugging Cycle : More than 500 times
- Screw : M8
- Sealing protection : IP67, IP6K9K
- Electrical protection : IP2XB

Part Number Information

Error proof keys	Fuse Current	Plug	Head assembly	Rear assembly
1	Short connector	CL-MSD700-P000	CL-MSD700-SF	CL-MSD700-S
2	160	CL-MSD700-P160		
3	200	CL-MSD700-P200		
4	250	CL-MSD700-P250		
5	315	CL-MSD700-P315		
6	350	CL-MSD700-P350		
7	400	CL-MSD700-P400		
8	500	CL-MSD700-P500		
9	550	CL-MSD700-P550		
10	630	CL-MSD700-P630		