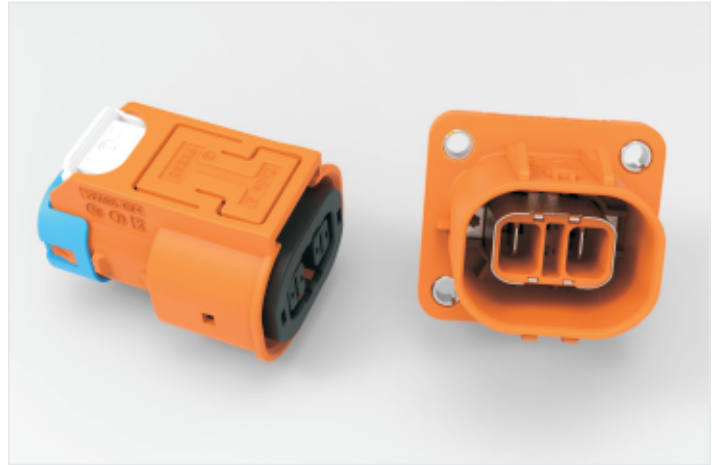


2POS High Voltage Plastic Shell Connector With Shield(REMIII)

Describe

- 2POS
- Plastic Shell
- Locking handle and
- Secondary locking structure
- False-proof design (IPXXB)
- IP Degree: IP6K9K、IP68
- Cable Size:2.5mm



Application

- Current Rating: 16A=2.5mm
25A=4mm
40A=6mm
- Voltage Rating: 1000V DC
- Shielding: Option
- HVIL: Option
- Working Temperature: -40°C-- +140°C

Ordering information

REM III - Z 2 P A H - 2.5 - B

Cable: 2.5、4、6

H: HVIL (Non-HVIL unmarked)

Anti-mistake key positions: A、B、C、D

P: Shielding

Contact number: 2

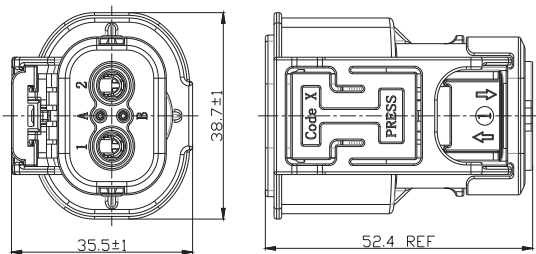
T: Plug; Z: Socket

REM III : Product series

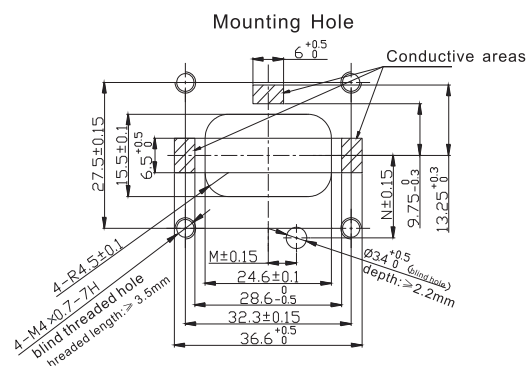
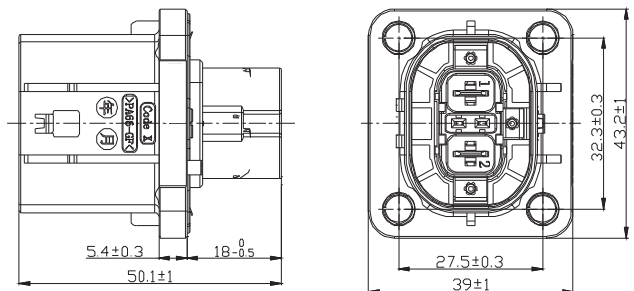
Plug and Socket exclude matching Power Terminal and HVIL which should be purchased separately.

Size

Plug



Socket



2POS High Voltage Plastic Shell Connector With Shield(REMIII)