

# Multi POS High Current Plastic Shell Connector with Shield (REG)



## Features/Application

- REG series connectors provide stable high voltage power transmission among EV/HEV systems.
- Outer shell is molded in thermoplastics with excellent flame-retardant and high temperature resistant ability. This REG series has many options(2 POS,3 POS, straight,right angle),and comparing same sized metal connectors, it has lighter weight,small size and easy installation.
- Locking handle and secondary locking structure.This connector requires smaller operation space,especially for those application environment with limited space.
- Current rating range 80A~200A, contact diameter 8mm, supporting cable from 25mm<sup>2</sup> ~50mm<sup>2</sup> (section) to meet various electrical performance.
- Multi anti-misplug key position avoiding mistakes when same series connectors are applied on same devices.
- Both plug and jack have protection against electric shock.
- IP67 in mated condition.
- Assembly manufacturing service as required.
- HVIL (High Voltage Interlock) feature is optional.360 degree shielding optional.

## Technical Specification

### Electrical Property

Current rating:

Contact	Cable Range	Current Rating	Cable type
Φ8mm	16mm <sup>2</sup>	80A	Shield or Non-shield is optiona
	25mm <sup>2</sup>	120A	
	35mm <sup>2</sup>	180A	
	50mm <sup>2</sup>	200A	

Voltage rating:750V DC

Withstand voltage: 3000V AC 1min

Insulation resistance: 5000MΩ

Shielding: optional

HVIL: Yes

### Environmental Property

Working temperature: -35°C~+125°C

Relative humidity: 95%(40°C)

IP68B in mated condition,plug and jack meet IPXXB separately

Flame retardant grade: UL94 V-0

### Mechanical Property

Mating cycle: >750 times

Vibration: 10~80Hz, amplitude 0.75

81~500Hz, 20g

500~2000Hz, 18g

### Material

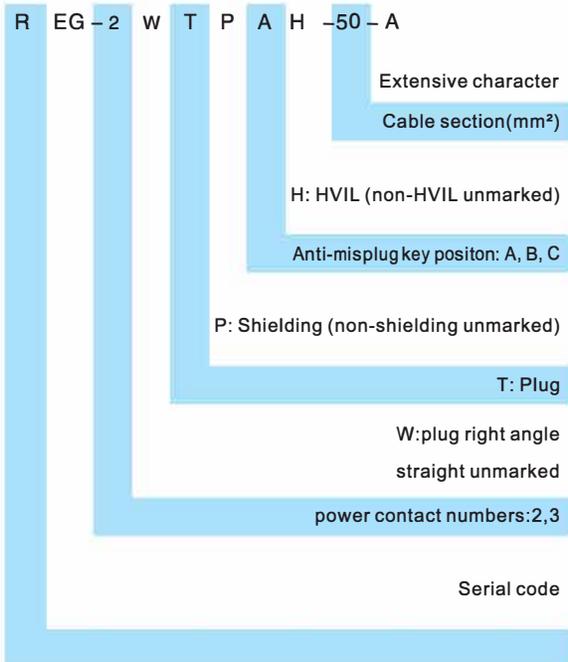
Shell: thermoplastic flame-retardant

Contact: copper alloy silver plated

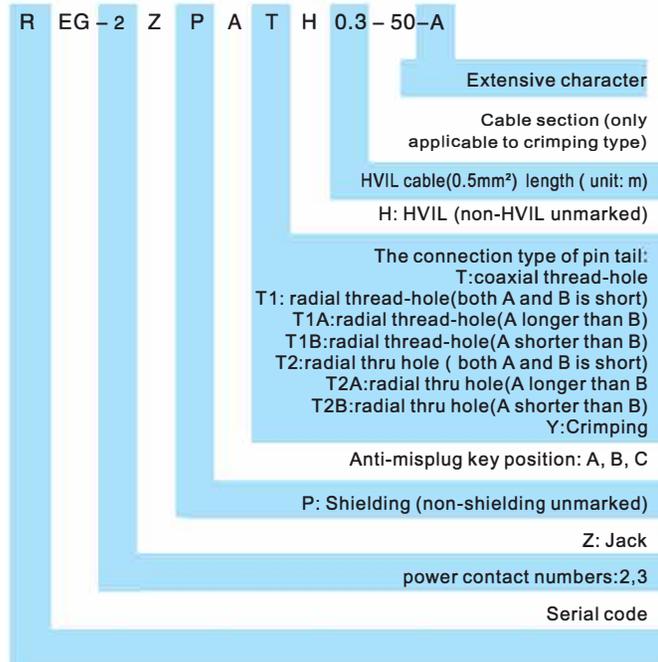
Seal: rubber or elastomer

## Ordering Information

### Plug



### Jack



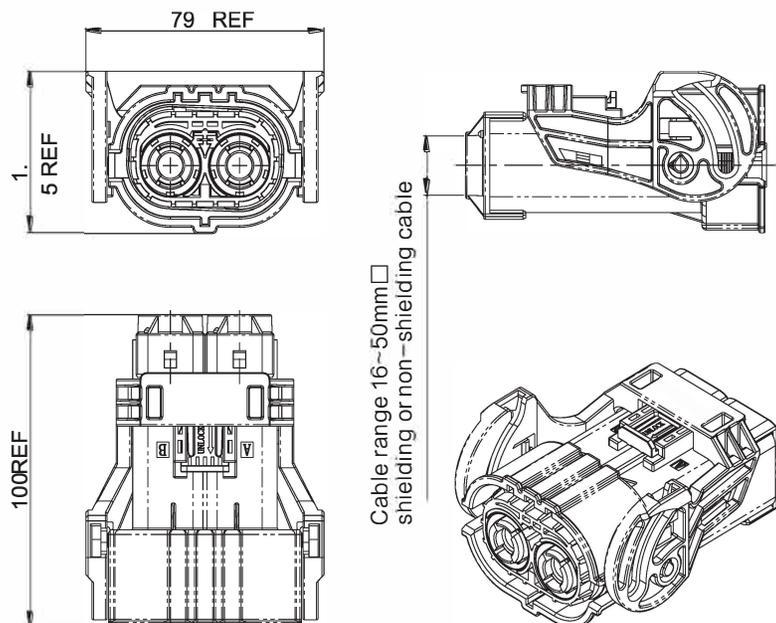
NOTE:The plug type is empty plug without wiring. If you need to purchase wiring components, you can contact our company technical department and give the model of wiring harness components before confirming the details of components. The 16mm<sup>2</sup> wiring is unconventional, it needs to book in advance.

#### Note:

- The mode of termination for plug assemble with pin in the tail is "T1A", "T1B", "T2A", "T2B", "T3A", "T3B", and "A", "B" means connector's hole site. Termination mode with "A" means long pin in A hole site, termination mode with "B" means long pin in B hole site, if without A or B means short pin. The radial thread hole pin only flattens on one side. The pin is assembled in the socket and then milling flat. T1 and T3 are just the opposite.
- A new three-core socket with the same size as TaiKe plug-in is added. The letter Z in the socket can be replaced by Z1.

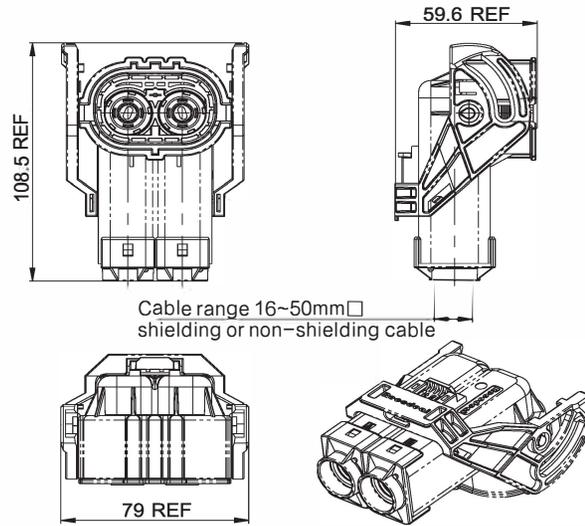
## Size

### 2 POS straight plug

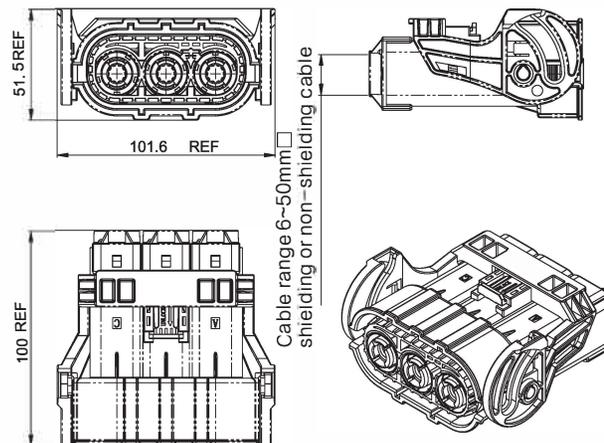




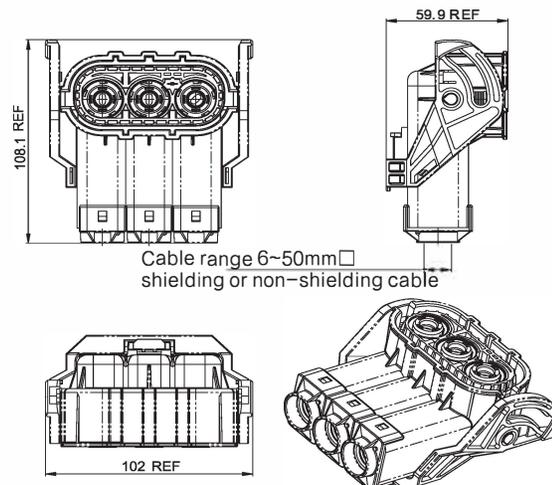
2 POS right angle



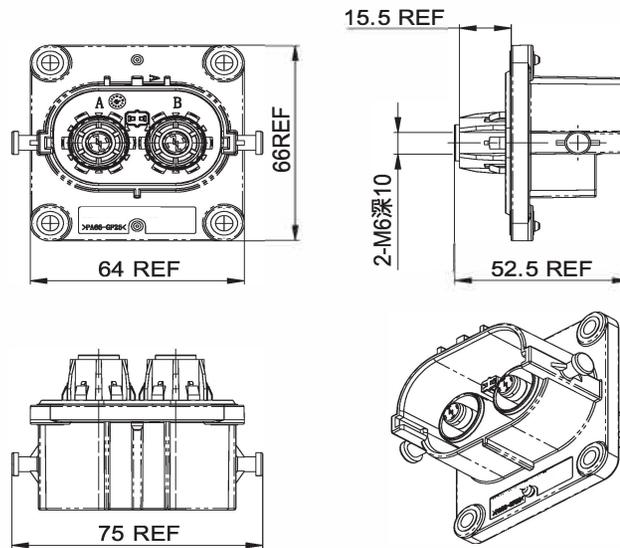
3 POS straight plug



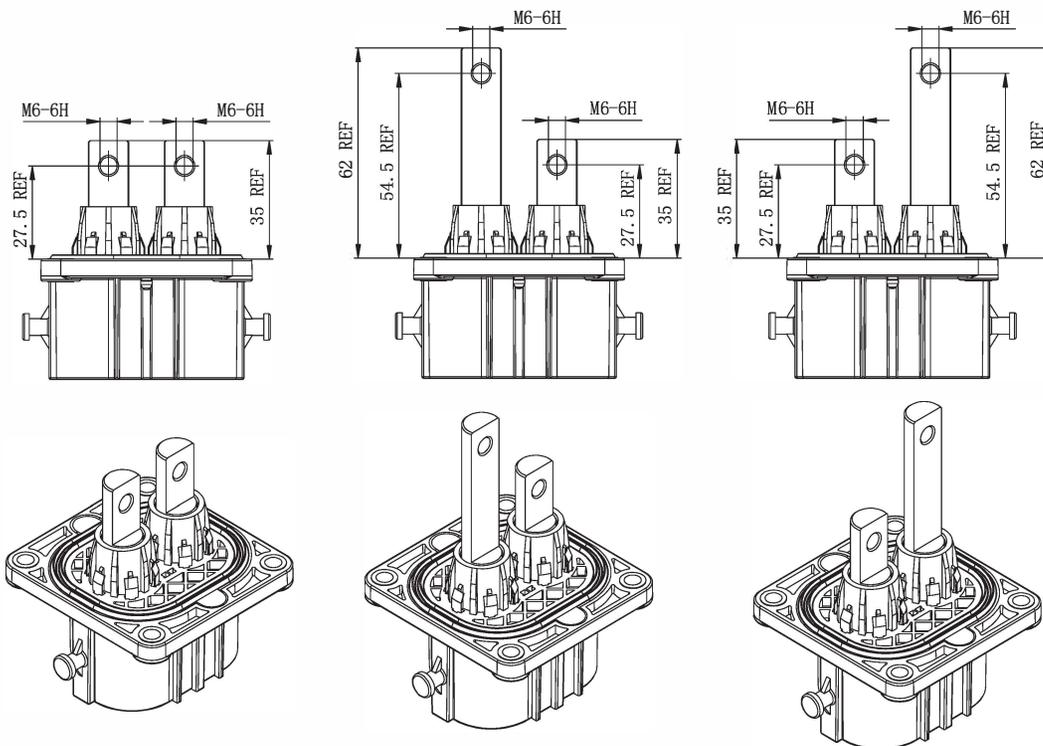
3 POS right angle



2 POS Plug(copper bar with coaxial thread holeT)

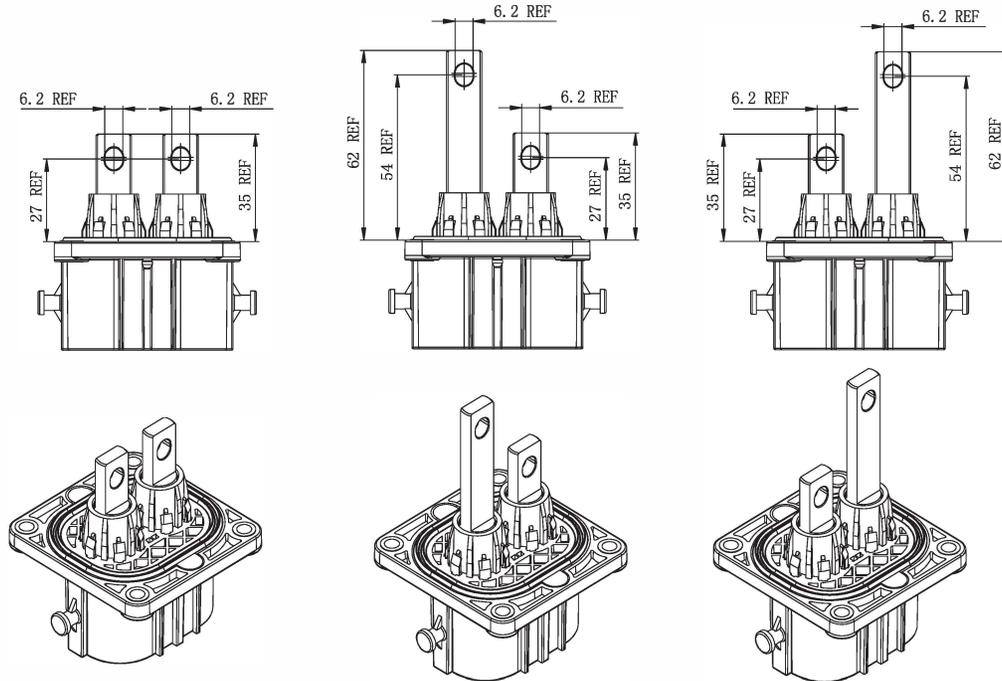


2 POS Plug(copper bar with radial thread hole T1, T1A, T2B, from left to right)

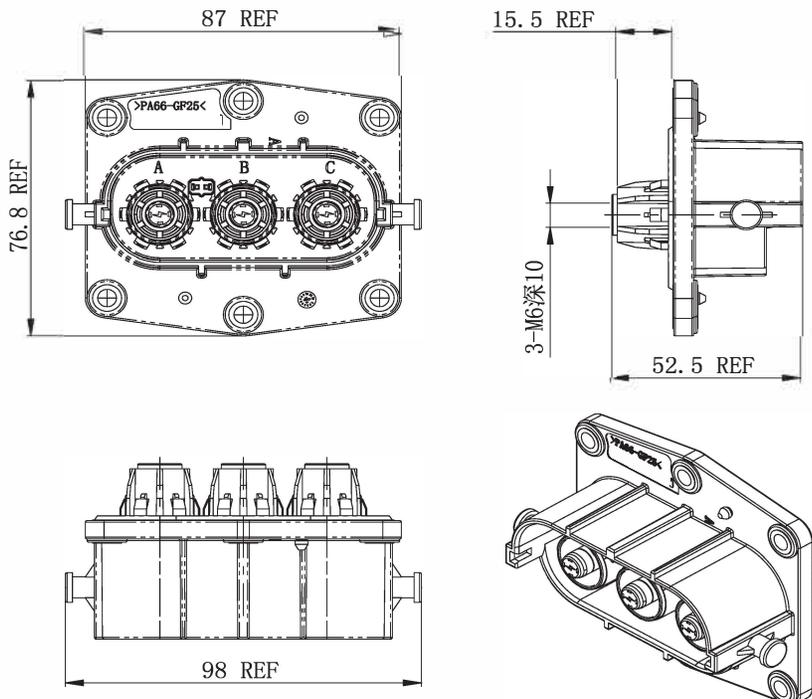


NOTE: When the end pin of the socket is T3, T3A, T3B, the pin on the corresponding socket in the picture above is opposite.

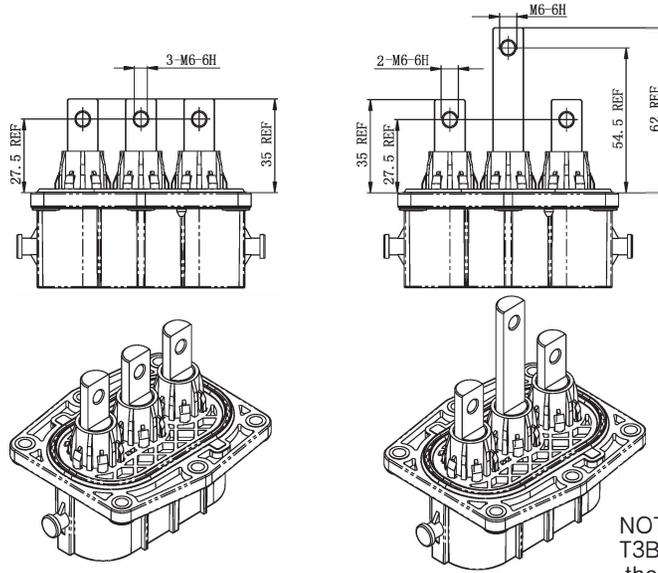
**2 POS Plug(copper bar with radial thru hole T2,T2A,T2B, from left to right)**



**3 POS Plug(copper with coaxial thread hole T)**

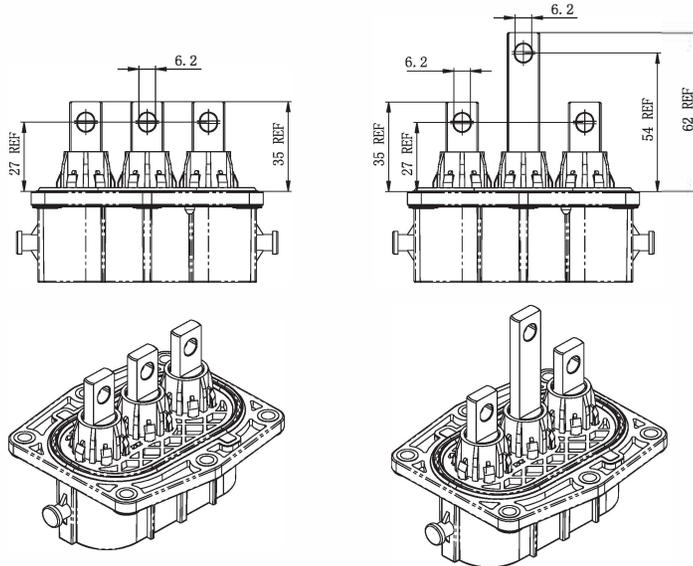


**3 POS Jack(copper with radial thru hole T1, T1B, from left to right)**



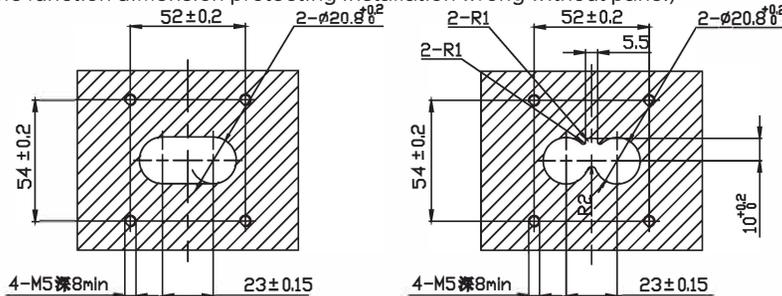
NOTE: When the end pin of the socket is T3, T3B, the pin on the corresponding socket in the picture above is opposite.

**3 POS Jack(copper with radial thru hole T2, T2B, from left to right)**



**Mounting hole dimension**

2 Pos Jack ( Mounting hole function dimension protecting installation wrong without panel)



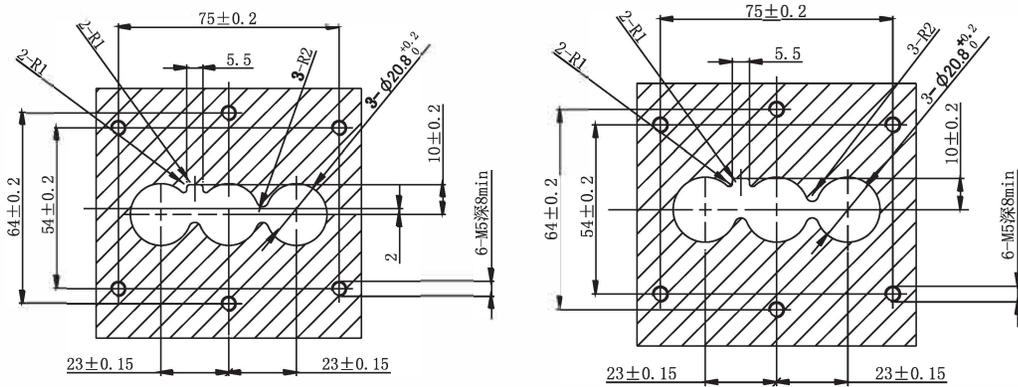
Conventional shielding requirement mounting hole (left)

Shielding enhancement requirement mounting hole (right)

NOTE:

1. If you need socket with panel protecting installation wrong, see another technical specification for mounting hole dimension.
2. When you need to install the socket clapboard, the 2 Pos Jack must be mounted according to conventional shielding requirement(left) hole dimension.

### 3 Pos Jack Z(left)、3 Pos Jack Z1(right)



#### NOTE:

1. In order to ensure the protective performance, the thread holes on the installation panel should be waterproof blind holes and the flatness of the panel should not be less than 0.2 as required in the figure.
2. The socket Z1 is fully compatible with the hole dimension corresponding plug-in of Tyco.

### Purchase Parts (Order Separately)



Socket Clapboard (2 Pos)

Socket Clapboard (2 Pos): For the socket separating two pin, increase the insulation space. If you need to purchase, you need to order it separately. Parts order number:8.074.015R.

NOTE: If there is no special remark, the optional parts will be supplied by default when they are assembled with sockets. Three-core products have not been developed yet. Three-Pos products have not been developed yet.