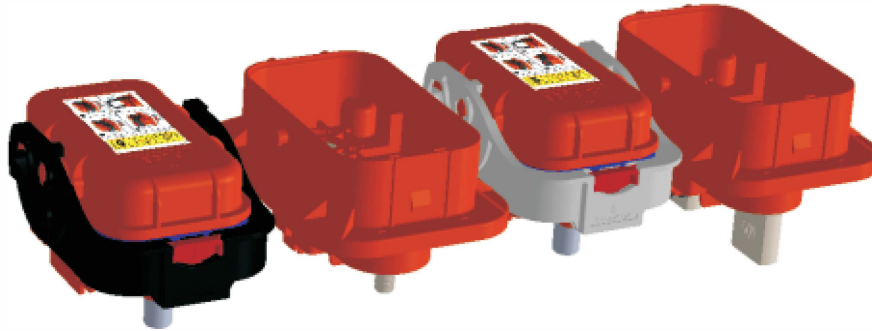


Manual Service Disconnecter (MSD2)



Features/Application

- Recodeal MSD2 provides stable high voltage power transmission for EV/HEV systems. The fuses in MSD2 provides overcurrent and short-circuit protection.
- Breaking structure and fuses are highly integrated inside which saves installation space and convenient for repair and maintenance.
- MSD2 is handle type connectors comprising of plug and jack. The jack is joint with cable.
- Front installation of socket for option.
- Operating current 250A and contact elements are comprised of a pair of power contact ($\phi 11$) and a pair of signal contact($\phi 1$). Multiple brands for option.
- The connectors have rotatable locking handle and secondary lock-unlock structure, it's convenient to operate and save strength.

Technical Specification

Electrical property

contact resistance:total power contact resistance $\leq 1.5m\Omega$
signal contact resistance $\leq 10m\Omega$
current rating:250A (300A in 30 mins)
voltage rating:750V DC
voltage Resistance:3500V DC in 1 min (in normal status except fuse)
insulation resistance:3500M Ω (normal status),100 M Ω (damp heat)

Environment Property

Working temperature:-40 $^{\circ}C$ ~+125 $^{\circ}C$
Relative humidity: 95%(40 $^{\circ}C$)
Vibration: 10~55GHz, amplitude 0.75mm
Mechanical shocks: 980m/s²
Handle lock after retention: $\geq 200N$

Mechanical Property

Mating cycle: 500 times
Single contact separation force: 15N~30N
Sealing: after installation head plug IP68,plug IPXXB separately and Silicone oil resistant option

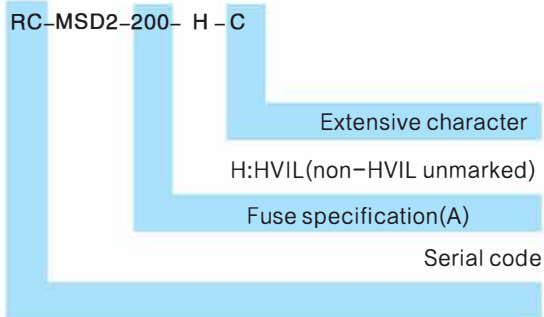
Material

Shell: thermoplastic flame-retardant
Contact: copper alloy silver plated
Seal: silicon rubber

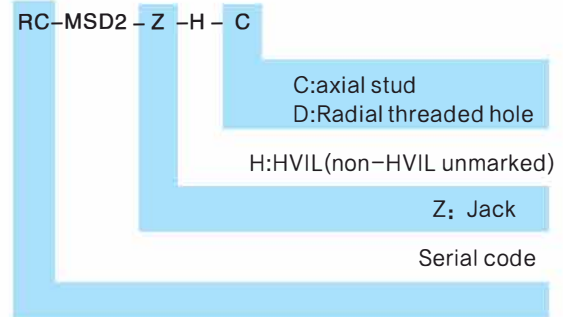
Ordering Information

The plug and socket are separate as default, if you need whole part connect with "&" between plug and socket P/N;
RC-MSD2-630-H-C&RC-MSD2-Z-H-D" means: 630A fuse with HVIL Plug and HVIL Jack whole part.

Plug



Jack



NOTE:HVIL plug and non-HVIL socket can't be exchanged.

1.plug Final syllable:

Plug Suffix	instruction	Plug Suffix	instruction
B	ZB type fuse or copper bar	C	M8 axial stud
B1	BS type fuse	D	M10 Radial threaded hole
C	ZB type fuse		
D	AD type fuse		

2."RC-MSD2-630-H-C" means with 630A ZB Type fuse and HVIL MSD2 Plug.

3.RC-MSD2-H-B:Disconnected fuse (copper bar) with HVIL Plug.

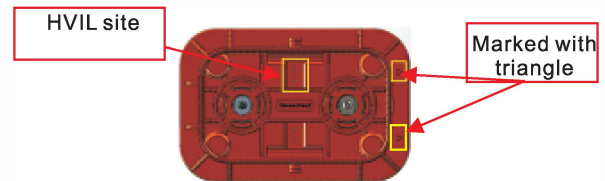
4.RC-MSD2-B:Disconnected fuse (copper bar) with Non-HVIL Plug.

NOTE:

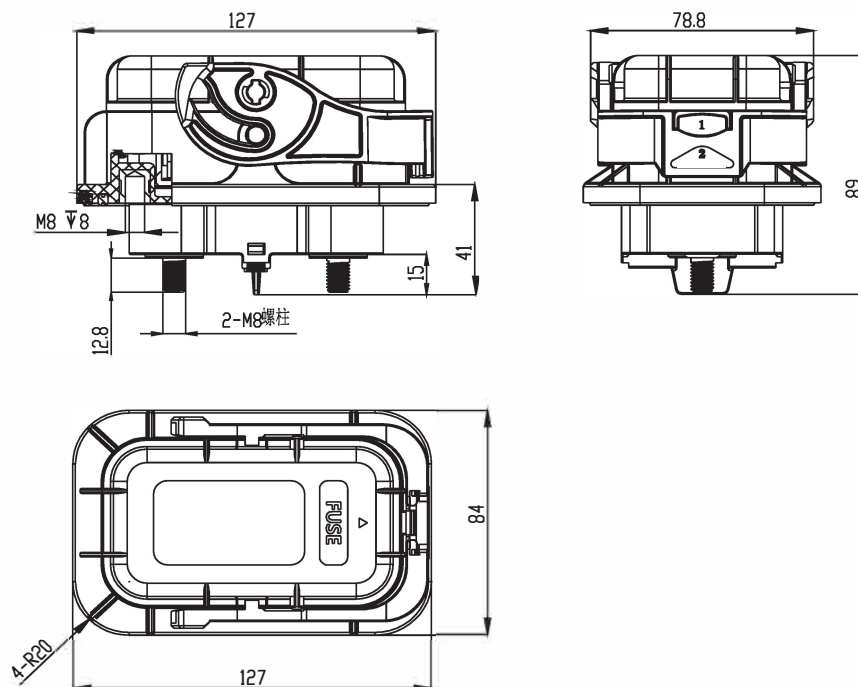
1. Socket non-HVIL with Silicone oil resistant is with plug non-HVIL.
2. RC-MSD2-Z-Ctype means M8 axial stud with non-HVIL plug.
3. RC-MSD2-Z-H-D type means with M10 Radial threaded hole socket.
4. Plug and socket can only meet function when both are HVIL, as the picture below HVIL do like this on the top.

Size

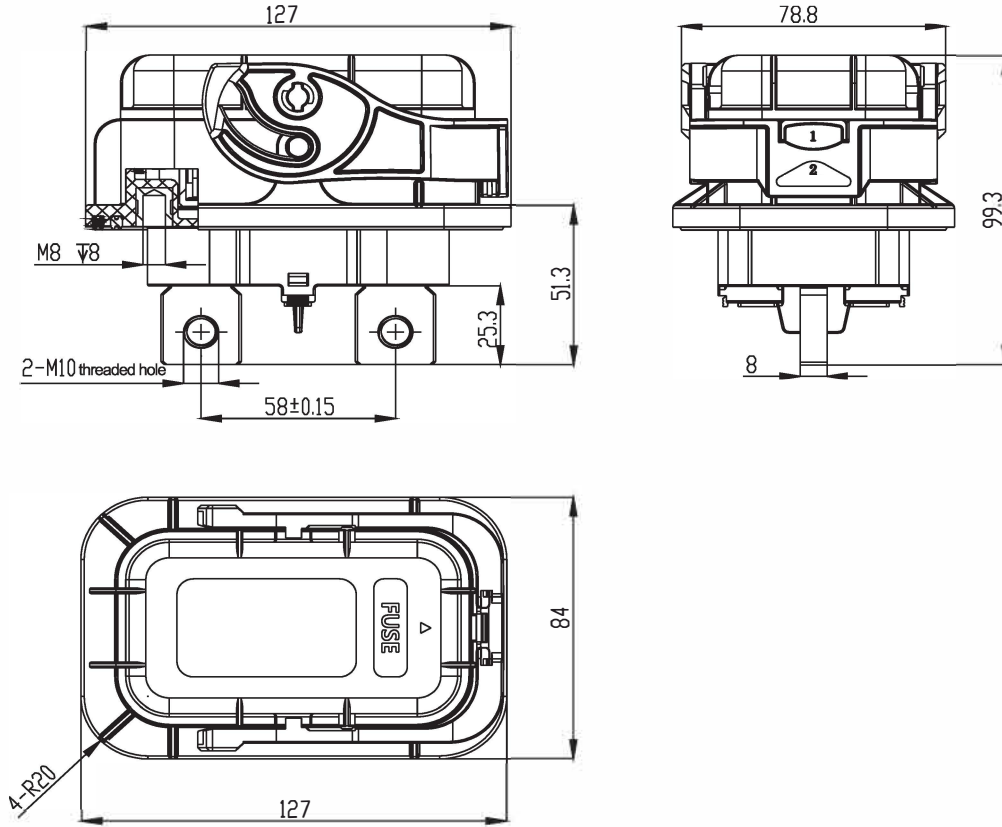
The shape of fuse and copper are the same.



Manual Service Disconnecter (Socket Jack:M8)



Manual Service Disconnecter (Socket Jack:M10)



Mounting hole dimension

