



## 808MY "QDE/Hcp Oqfgn" Pq0" CVE8M8/442U742/C

### Features



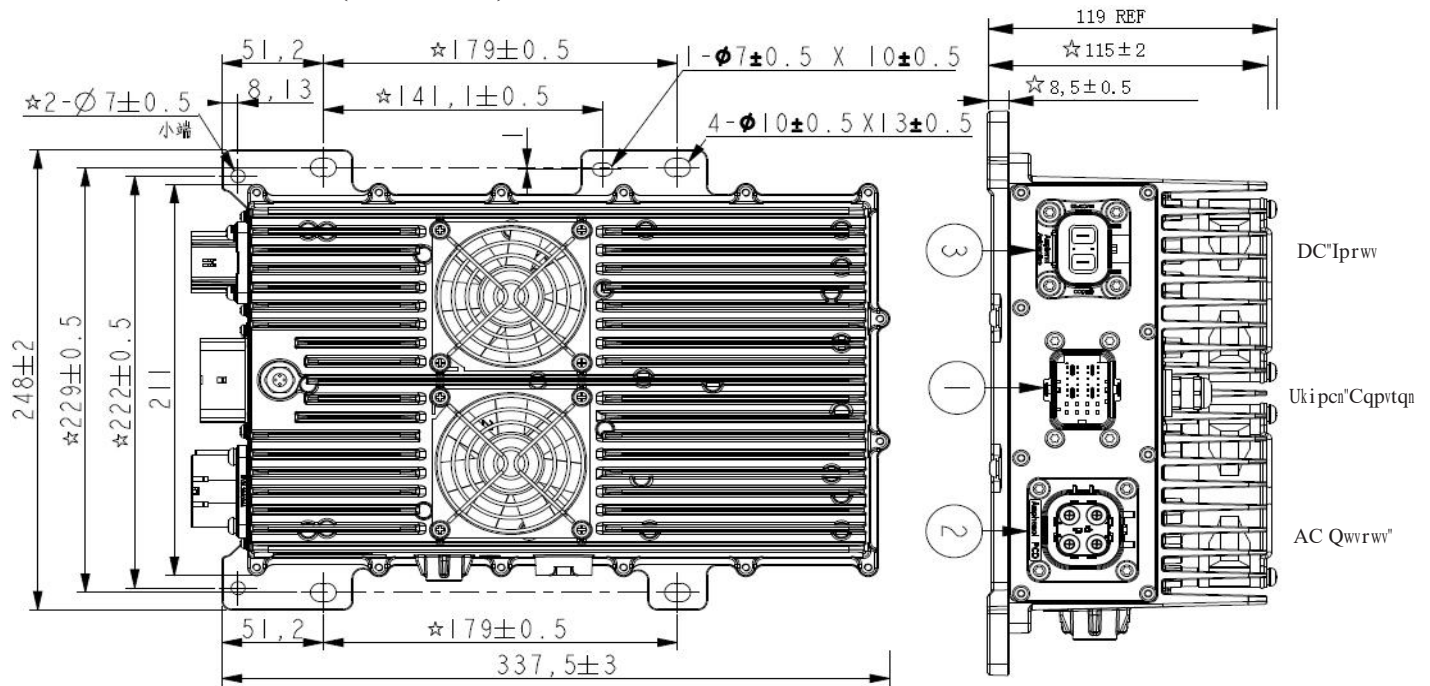
- 3" Qwrrw"Rqygt< 808MY
- 4" kprwv"Xqncig< : 7φ487XCE
- 5" Qwrrw"Xqncig< 420~850XFE
- 6" Fk o gpukqpu<546z433z33; o o
- 7" Y gki jv<"Ö8MI "
- 8" Eqnkp i "U{ uvgo< Nkswkf."hny"tcvg"×8Nl o kp
- 9" Rtqygevqpp"Ngxgn< KR89
- :" Eq o o wpkecvkqp"Ogvjqf< ECP/DWU
- ;" Gpenquwtg<"Cnw o kpw o "cnnq{
- 32" Uqhv yctg<"Fki kvcn"uqhv yctg"fgukip
- 33" Qpnkpg"Writcvg" ("Hcwnv" Fkicipquku<"Uwr rqtvgf

### Specification

Fguetkrvkqp	Vgejpkecn"Urgekhekcvkqp	Tgoctm
Qrgtcvkpi"Vgo rgtcwtg	/62φ:7	Ckt"kpngv"co dkgpv"vgo rgtcwtg
Tcvgf"Qwrrw"Rqygt	808MY	
kprwv"Xqncig"Tepeg	: 7φ487XCE"	
Tcvgf"Qwrrw"Xqncig	420~850XFE"	
Tcvgf"Qwrrw"Ewtgppv	16C	
Cwzknket{"Xqncig"Tepeg	: φ54XFE"	
Ghhkegpe{	×;6 '	Tcvgf"xqncig
Xqncig"Ceewtce{	Ö3 ' "	
Ewtgppv"Ceewtce{	Ö5 ' "	
Nqy"Xqncig"Ycmgwr	422oC"ocz"*ycmgwr"ukipcn+	Xoltage follows the VCC
Ycmgwr"Ogvjqf	CE."RRIER."GP*jctfyktg+	Uwr rqtv"tgugtvcvkqp"ejctikpi
Eq o o wpkecvkqp"Ogvjqf	ECP/DWU	
Swkguegpv"Ewtgppv	≤4oC	Dcvtg{"ewtgpv" yknn"dg"eqpuw o g f"kp" unggrlucpfd{"o qfg
Rtqygevqpp"Ejctcevtgkuvku	kprwv"QXR."WXR."qwrrw"QXR."WXR." QVR."QER."qwrrw"ujqtv"ektewkv"rtqvg/ evkqp."eq o o wpkecvkqp"hcwnv"rtqygevqpp	
GOE	IDIV"3:387-422:."GP"77244	

808MY "QDE/Hcp  
 Oqfgn" Pq0" CVE8M8/442U742/C

Structural Parameters ( unit : mm)



Connector Model

Rqukvkqp	Hwpevkqp	Dtcpf	Uqemgv"Oqfgn	Rnwi"Oqfgn
3	Ukipcn"eqpvtqn	VG	4556588/4	2137299-8
4	CE"Kprwv	Corjgpqn	HVSL364024A	HVSL364064A1061
5	FE"Qwvrwv	Corjgpqn	HVC2P63MV406	HVC2P63FS406

CE"Kprwv*4+		FE"Qwvrwv*5+		Ukipcn"Eqpvtqn*3+							
3	N	3	Qwvrwv"-	3C	ECP"3/J	4C	Ycmgwr	5C	PVE"3"-	6C	JXKNaKP
4	PE	4	Qwvrwv"/	3D	ECP"3/N	4D	RRaQWV	5D	PVE"4"-	6D	JXKNaQWV
5	PE	C	JXKNaKP	3E	GPaQDE	4E	PE	5E	PE	6E	PE
6	P	D	JXKNaQWV	3F	PE	4F	PE	5F	PVE"3" ("4"/	6F	PE
C	JXKNaKP			3G	RR	4G	PE	5G	Nqem"hgghdcem"3	6G	PE
D	JXKNaQWV			3H	ER	4H	PE	5H	Nqem"hgghdcem"4	6H	PE
	I tqwpf"vq"ejcuuku			3I	XEE"-	4I	PE	5I	Nqem"-	6I	PE
				3J	IPF	4J	PE	5J	Nqem"/	6J	PE