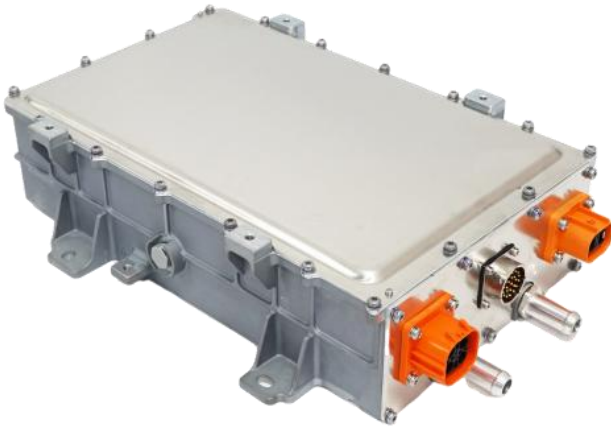




## 11KW OBC-Liquid Model No. ATC11K-380S380-W

### Features

- 1 Output Power: 11KW
- 2 Input Voltage: 3 phase 304~456VAC
- 3 Output Voltage: 200~450VDC
- 4 Dimensions: 369x238x98mm
- 5 Weight: ≤10.5KG
- 6 Cooling System: Liquid, flow rate ≥8L/min
- 7 Protection Level: IP67
- 8 Communication Method: CAN-BUS
- 9 Enclosure: Aluminum alloy
- 10 Software: Digital software design
- 11 Online Upgrade & Fault Diagnosis: Supported
- 12 Compatible with 1 phase and 3 phase charging piles



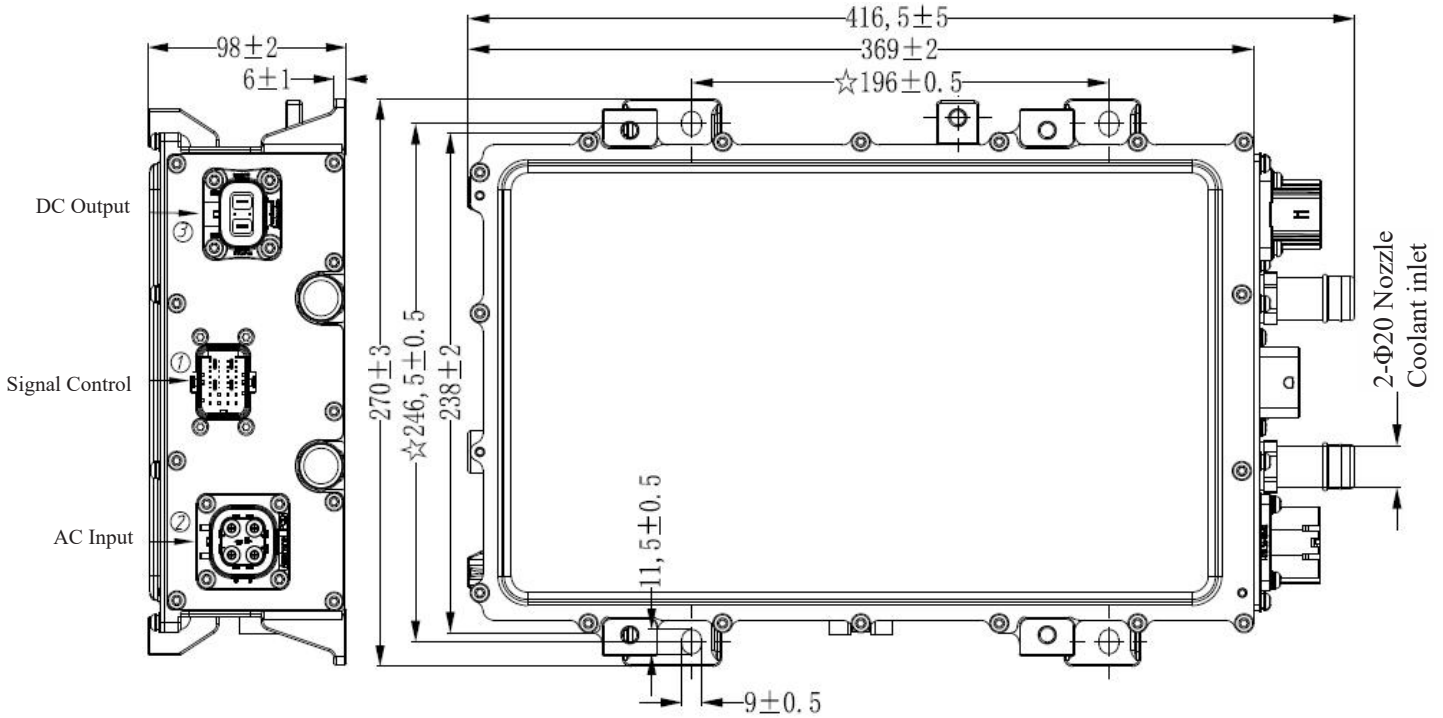
### Specification

Description	Technical Specification	Remark
Operating Temperature	-40~85°C	Coolant inlet temperature
Rated Output Power	11KW	1 phase input 6.6KW: supported
Input Voltage Range	3 phase 304~456VAC (wire-wire voltage, 3 phase 4 wire)	1 phase input: 175~265VAC
Rated Output Voltage	200~450VDC	
Max Output Current	32A	1 phase input: 20A
Auxiliary Voltage Range	9~32VDC	VCC
Efficiency	≥94%	Rated voltage
Voltage Accuracy	±1%	
Current Accuracy	±3%	
Low Voltage Wakeup	200mA max (wakeup signal)	Wakeup BMS/VCU, voltage follows the VCC
Wakeup Method	AC, PP/CP, EN(hardwire)	Support reservation charging
Communication Method	CAN-BUS	
Quiescent Current	≤2mA	Battery current will be consumed in sleep/standby mode
Protection Characteristics	Input OVP, UVP, output OVP, UVP, OTP, OCP, output short circuit protection, communication fault protection	
EMC	GB/T 18387-2008, EN 55022	



## 11KW OBC-Liquid Model No. ATC11K-380S380-W

### Structural Parameters ( unit : mm)



### Connector Model

Position	Function	Brand	Socket Model	Plug Model
1	Signal control	TE	2334366-2	2137299-8
2	AC Input	Amphenol	HVSL364024A	HVSL364064A106I
3	DC Output	Amphenol	HVC2P63MV406	HVC2P63FS406

### Interface Definition

AC Input(2)		DC Output(3)		Signal Control(1)							
1	L1, single phase	1	Output +	1A	CAN 1-H	2A	Wakeup	3A	NTC 1 +	4A	HVIL_IN
2	L2	2	Output -	1B	CAN 1-L	2B	PP_OUT	3B	NTC 2 +	4B	HVIL_OUT
3	L3	A	HVIL_IN	1C	EN_OBC	2C	NC	3C	NTC 3 +	4C	CAN 2-H
4	N	B	HVIL_OUT	1D	NC	2D	NC	3D	NTC 1 & 2 & 3 -	4D	CAN 2-L
A	HVIL_IN			1E	PP	2E	NC	3E	Lock feedback 1	4E	NC
B	HVIL_OUT			1F	CP	2F	NC	3F	Lock feedback 2	4F	TB_R
	Ground to chassis			1G	VCC +	2G	NC	3G	Lock +	4G	EN 2
				1H	GND	2H	NC	3H	Lock -	4H	NC