



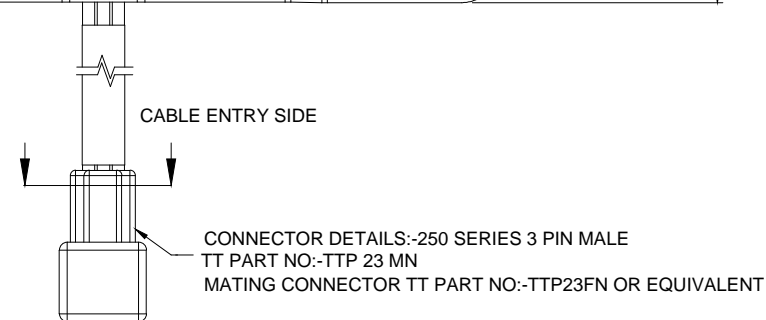
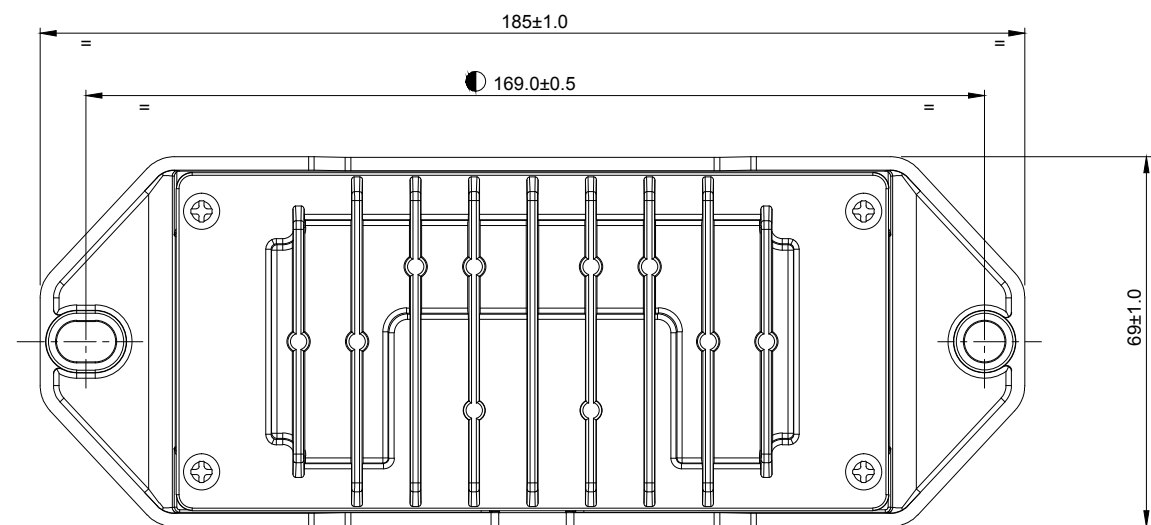
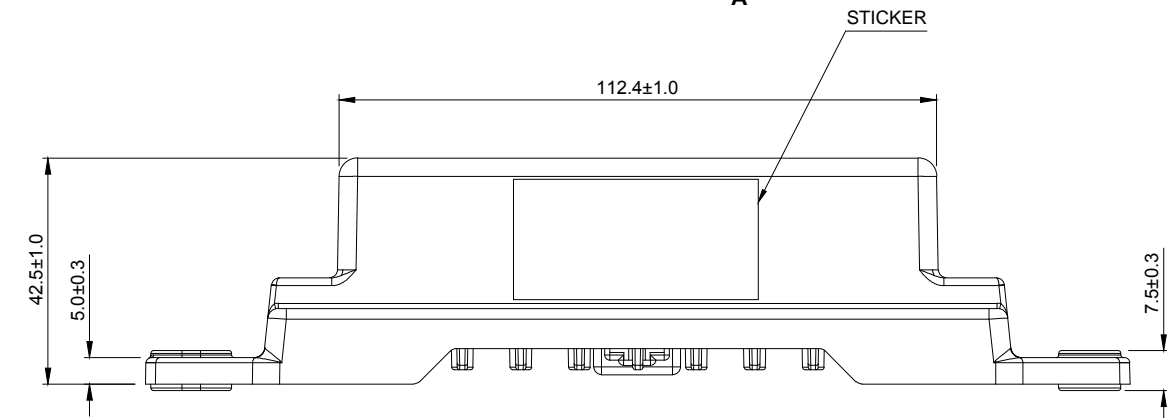
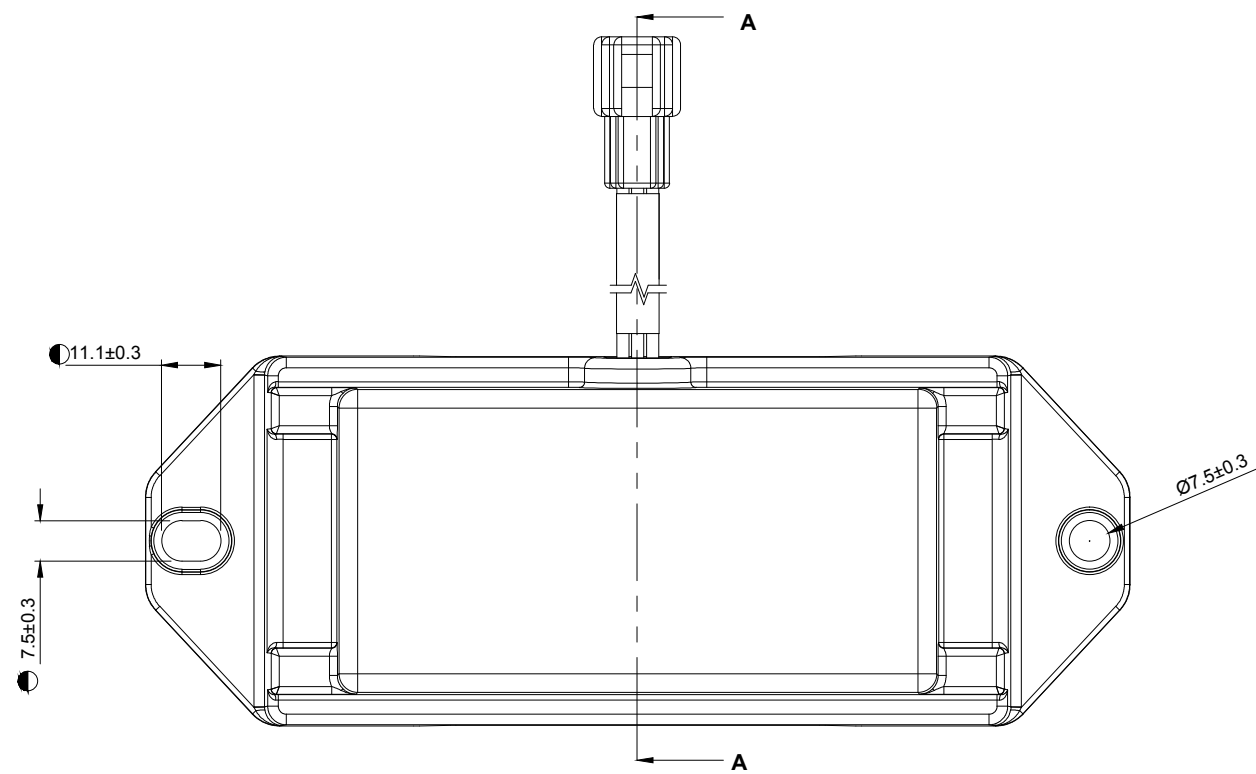
Model No. : ATD300-27S12

Product Name : 300W DC/DC Converter

Features

- 1 Nominal input voltage :27V
- 2 Input voltage range at rated load :18~36 VDC
- 3 Output voltage range: 13±0.5V
- 4 Ripple voltage at nominal condition:<250mVPPp AT 25°C
- 5 Nominal output current : 10A.
- 6 Insulation resistance > 1 MEGA OHM.
- 7 Testing to be done as per signed off ctr
- 8 Component should meet the ELV/RoHS requirement
- 9 Ingress protection: IP65.
- 10 Component meets pulse 5b test for 24V system at $U_s^* = 65V$, $R_i = 10\Omega$.
- 11 Component meets radiated emission =Class 3
- 12 Component meets conducted emission=Class3.
- 13 Size : 450x380x190mm
- 14 Qty : 18 nos.
- 15 Weight : ≤ 8.5 kg



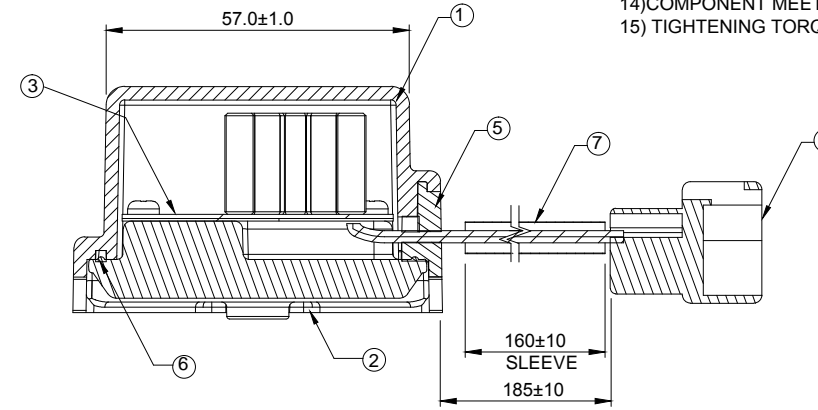


PART LIST:

SL NO.	PART NAME	MATERIAL	SURFACE TREATMENT	QTY.	RECYCABILITY	HAZARDOUS	REMARKS
01	HOUSING	ADC 12	SHOT BLASTED	1	✓	✗	
02	BASE	ADC 12	SHOT BLASTED	1	✓	✗	
03	PCB CP	FR-4	-----	1	✗	✗	
04	PIGTAIL	-----	-----	1	✓	✗	
05	RUBBER GROMMET	EPDM BLACK	-----	1	✓	✗	
06	RUBBER SEAL	SILICONE BLACK	-----	1	✓	✗	
07	PVC SLEEVE	PVC BLACK	-----	1	✓	✗	

NOTES:-

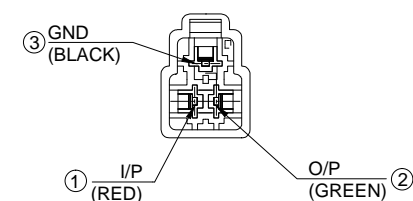
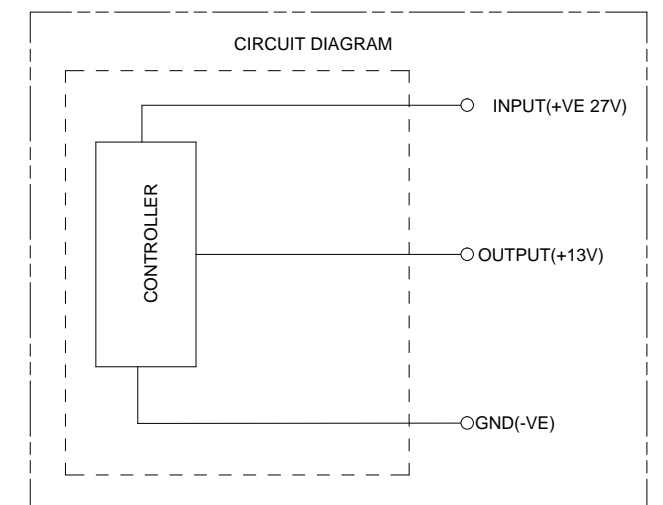
- 01) NOMINAL INPUT VOLTAGE :27V.
- 02) INPUT VOLTAGE RANGE AT RATED LOAD :18-36 VDC.
- 03) OUTPUT VOLTAGE RANGE: 13±0.5V DC.
- 04) RIPPLE VOLTAGE AT NOMINAL CONDITION:<250mVPP AT 25°C.
- 05) NOMINAL OUTPUT CURRENT : 10A.
- 06) OPERATING TEMPERATURE : -40°C TO +85°C.
- 07) STORAGE TEMPERATURE : -40°C TO +85°C.
- 08) INSULATION RESISTANCE SHALL NOT BE LESS THAN 1 MEGA OHM.
- 09) TESTING TO BE DONE AS PER SIGNED OFF CTR.
- 10) COMPONENT SHOULD MEET THE ELV/RoHS REQUIREMENT.
- 11) INGRESS PROTECTION: IP65.
- 12) COMPONENT MEETS Pulse 5b TEST FOR 24V SYSTEM AT Us*= 65V , Ri= 1 Ohm.
- 13) COMPONENT MEETS RADIATED EMISSION =Class 3.
- 14) COMPONENT MEETS CONDUCTED EMISSION=Class3.
- 15) TIGHTENING TORQUE FOR SCREW M6 TO BE 1.5±0.2 N.m.



SECTION A-A

WIRE DETAILS:

SL NO.	SQ MM	COLOUR	REMARK	TYPE
01	0.75	RED	INPUT	FLRYB
02	0.75	GREEN	OUTPUT	
03	0.75	BLACK	GROUND	



CONNECTOR VIEW FROM CABLE ENTRY SIDE