



**Model No. : ATC6K6-220D54027-A**  
**Product Name : 6.6KW On Board Charger Fan**



6.6KW On Board Charger Fan

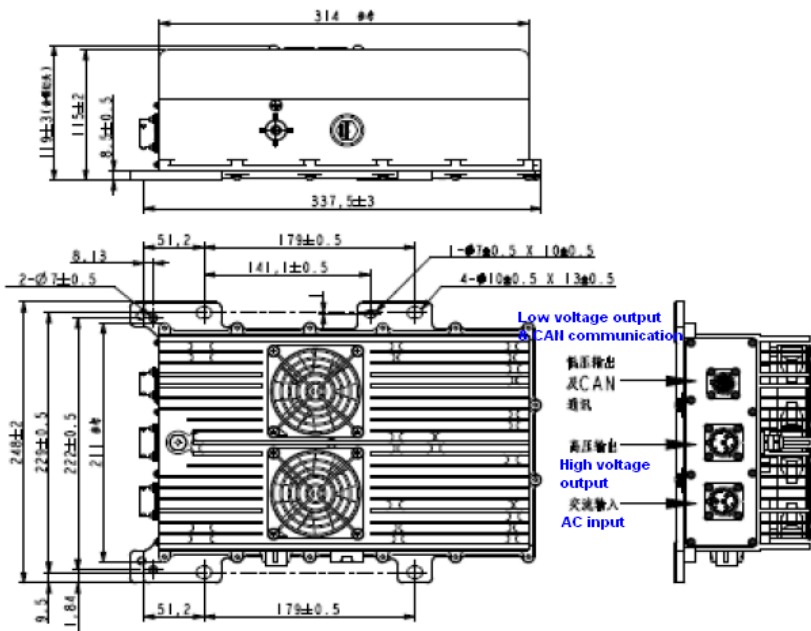
**Features**

- 1 Charging Standard: IEC
- 2 Output Power : 6.6KW
- 3 Input Voltage : 85-265VAC
- 4 Output Voltage : 400-650VDC
- 5 Dimensions : 314 x211 x115mm
- 6 Cooling System : Fan
- 7 Communication Method : CAN-BUS
- 8 Weight: ≤10KG

**Specification**

Description	Technical specifications	Remark
Operating temperature	-40-85°C	Working for long time
Rated output power	6.6KW	
Input voltage range	85-265VAC	
Output voltage range	400-650VDC	
Maximum output current	14A	
Efficiency	≥94%	Rated voltage
Voltage accuracy	±1%	
Current accuracy	±3%	
Low voltage Aux. Output	100W	27V
Wake up method	AC	
Communication method	CAN-BUS	
Quiescent Current	≤2mA	The battery current is consumed in the sleep/stop state.
Electromagnetic compatibility characteristics	GB/T18387-2008 · EN 55022	
Protection characteristics	Input OVP/UVP, output OVP/UVP,OTP, OCP, output short circuit protection, CAN communication breakdown protection	
Dimensions	314 x211 x115 mm	
IP Rating	IP67 (except fan)	
Cooling System	Fan	
Weight	≤10KG	

**Structural parameters**





**Model No. : ATC6K6-220D54027-A**  
**Product Name : 6.6KW On Board Charger Fan**

Position	Function	Receptacle model	Plug model	Maker
A	AC input	HVSL364024A	HVSL364064A106I	Amphenol
B	DC output	HVC2P63MV406	HVC2P63FS406	Amphenol
C	Signal control	RT001823PN03	RT061823SNHEC03	Amphenol

**Connector Definition**

Function	Model	Description			Picture
		Pin	Label	Function	
AC input	HVSL364024A	1	L	Hotline	
		2	NC	NC	
		3	NC	NC	
		4	N	Neutral Line	
		A	Interlock 1	Connect to interlock 5	
		B	Interlock 2	Connect to interlock 3	
DC output	HVSL630022A	1	Positive	Output +	
		2	Negative	Output -	
		A	Interlock 3	Connect to interlock 2	
		B	Interlock 4	Connect to interlock 6	
Signal socket	RT001823PN03	A	CANL	CAN Low	
		B	VCC+	VCC+ Input +	
		C	VCU_EN	KL15 wake up OBC, EN signal (EN high potential valid)	
		D	CC	Proximity Detection	
		E	CP	Control pilot	
		F	WAKE_UP	VCU/BMS wake up signal(200mA)(Isolated from VCC)	
		G	NTC1-	Temp. sensor1 -	
		H	NTC1+	Temp. sensor1 +	
		J	NTC2-	Temp. sensor2 -	
		K	NTC2+	Temp. sensor2 +	
		L	CAN-H	CAN High	
		M	LOCK+	Electronic lock	

