

## 2/3POS High Voltage plastic connector with shield(RED)

### Describe

- 2/3 POS
- Plastic shell
- Locking handle and
- Secondary locking structure
- High protection degree:
- IP6K9K、IP68
- 6 anti-misplug key position.
- Cable section: 2.5mm<sup>2</sup>--4mm<sup>2</sup>



### Application

- Current Rating: 22A=2.5mm<sup>2</sup>  
25A=3mm<sup>2</sup>  
30A=4mm<sup>2</sup>
- Voltage Rating: 1000V DC
- Shielding: Option
- HVIL: Option
- Working Temperature: -40°C--  
+140°C

### Ordering information

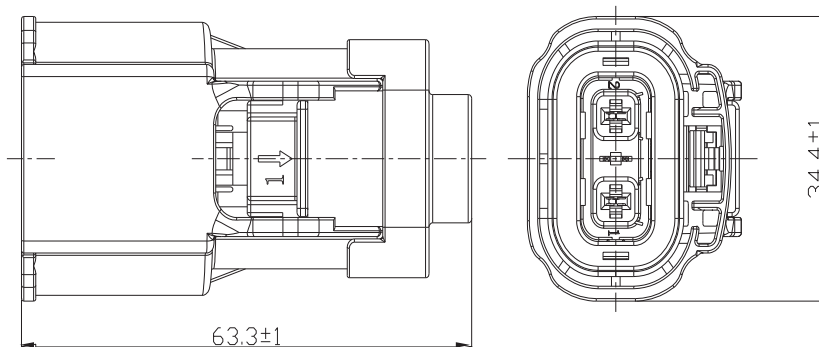
RED-TM2PAH-2.5-A

Extensive character  
Cable section:2.5、3、4(mm)  
H: H: HVIL(Non-HVIL unmarked)  
Anti-misplug key position: A、B、D、E、  
P: Shielding  
Power contact number: 2、3  
T:Plug; ; Z: Flange installation socket  
RED:Product Serial

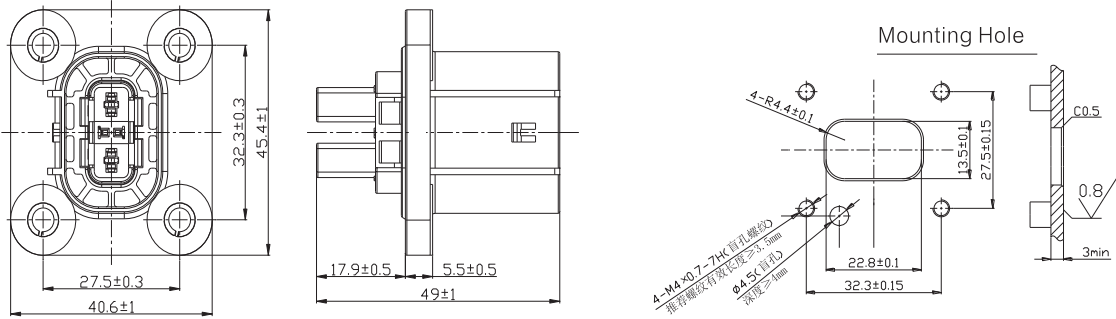
Note: connector type plug generated according to naming rules does not contain power terminal, socket does not contain power & interlocking terminal. Three-core connectors do not have high-voltage interlocking, three-core connector plug can not adapt to 3 mm<sup>2</sup> and 4 mm<sup>2</sup> shielded wire.

### Size

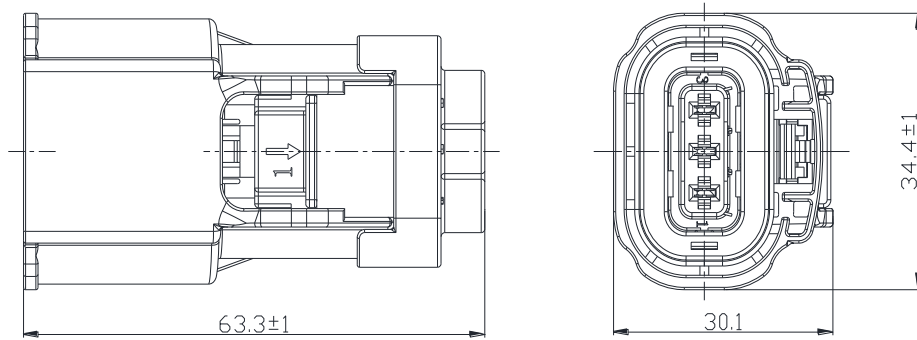
#### 2POS Plug



2POS Flange installation socket



3POS Plug



3POS Flange installation socket

