

Model No. : AR-300-540S24-N-AR01  
Product Name : 300W DC/DC CONVERTER SYSTEM



**Features**

- 1 Output Power : 300W
- 2 Input Voltage : 200~800VDC
- 3 Output Voltage : 24VDC
- 4 Dimensions : 208x129x45mm
- 5 Cooling System : Fan
- 6 Machine Weight : <1.5KG
- 7 Communication Method : CAN
- 8 Software: Digital software design

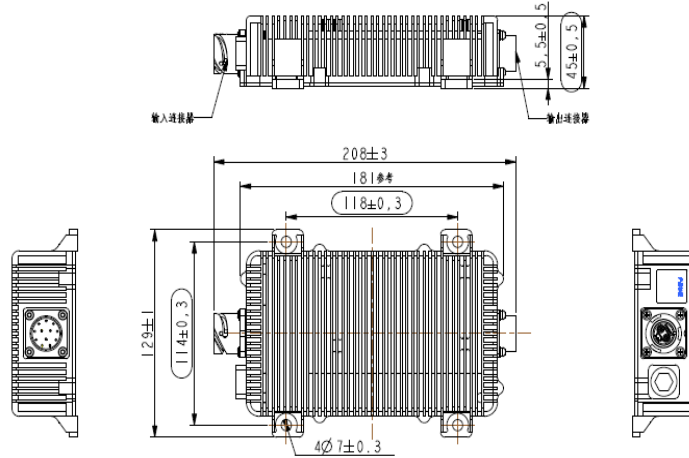
**Specification**

Description		Technical specifications	Remark
Rated output power		300KW (continuous operation at full load)	Peak power360W
Input voltage range		200-800VDC	Rated input 540VDC
Output rated voltage		24±0.5VDC	Adjustable
Rated output current		12.5A	
Efficiency		≥ 92%	Rated voltage Full load
Output voltage ripple		≤ 500mV <sub>PK-PK</sub>	
No-load power consumption		<10W	Input high voltage power
Sleep power consumption		<60mW	Power consumption of high voltage input during sleep state
Auxiliary source power consumption		<4W	Input power consumption when auxiliary power supply is working
Protection characteristics		Input over-voltage, output over-voltage, input anti-reverse connection, output over-current and short-circuit protection, over-temperature self-recovery	
Dielectric strength	Input to output	3000VDC/1min 1mA max	
	Input to the outer casing	3000VDC/1min 1mA max	
Insulation resistance	Input to output	≥ 20MΩ	
	Input to the outer casing	≥ 20MΩ	
Battery compatibility	Radiation emission	Limit requirements for level 3 in 6.4.4 of GB/T 18655-2010.	
	Conducted emission	Limit requirements for level 3 in 6.2.3 of GB/T 18655-2010.	
	Radio frequency immunity (free field / antenna injection)	Level 3 requirements for Appendix C of ISO 11452-2-2004.	
	Radio frequency immunity (High current injection)	Level 3 requirements for Appendix E of ISO 11452-2-2004.	



Model No. : AR-300-540S24-N-AR01  
 Product Name : 300W DC/DC CONVERTER SYSTEM

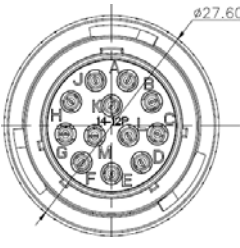
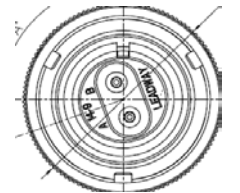
Structural parameters



Connector model

Position	Socket model	Function	Brand	Plug model
A	L52-STP083-12P-W	Control terminal	LeadWay	L52-STP063-12S-W
B	L52-BT6106-090X-C	High voltage input	LeadWay	L52-BT6105-09SX-C

Interface definition

Vendor	Model	Description	Remark	
LeadWay	L52-STP063-12S-W	A	24+ low voltage output positive / 12.5A (2.5A)	
		B	24- low voltage output negative / 12.5A (2.5A)	
		C	24- low voltage output negative / 12.5A (2.5A)	
		D	24+ low voltage output positive / 12.5A (2.5A)	
		E	AUX1 (Auxiliary 1) / 20mA	
		F	DISABLE (disable output 24V) / 20mA	
		G	ALARM (hardwire alarm) 10mA	
		H	CAN (CAN communication low) / 100mA	
		J	CAN (CAN communication high) / 100mA	
		K	24- low voltage output negative / 12.5A (2.5A)	
		L	24+ low voltage output positive / 12.5A (2.5A)	
M	AUX2 (Auxiliary 2) / 20mA			
LeadWay	L52-BT6105-09SX-C	A	High voltage input is positive	
		B	High voltage input is negative	

