



Model No. : LWD2K-380S14-A
Product Name : 2KW DC/DC Converter-Fan



2KW DC/DC Converter Fan cooling System

Features

- 1 Output Power : 2KW
- 2 Input Voltage : 250-450Vdc
- 3 Output Voltage : 13.8VDC
- 4 Dimensions : 262x180x120mm
- 5 Cooling System : Fan
- 6 Protection Level : IP67
- 7 Communication Method : CAN-BUS
- 8 Enclosure: Aluminum alloy made
- 9 Software: Digital software design

Applications



Electric Passenger Vehicles



Electric Commercial Vehicles

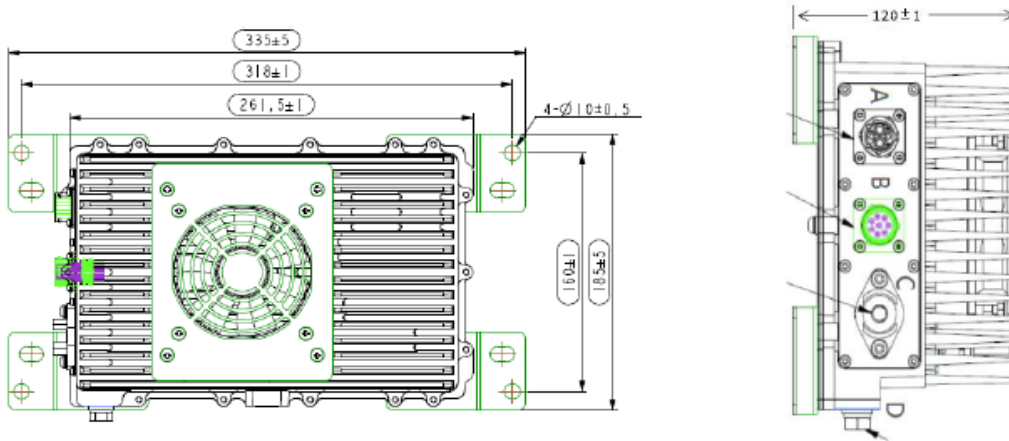
Specification

Description	Technical specifications	Remark
Operating temperature	-40~85°C	Temp. for air inlet port
Rated output power	2KW	Peak: 2.4 KW
Input voltage range	250~450VDC	
Output rated voltage	13.8VDC	Adjustable
Rated output current	145A	
Auxiliary power VCC	9~18VDC	VCC
Efficiency	≥95%	Rated voltage
Output voltage ripple	≤500mV _{PK-PK}	
Output voltage accuracy	±1%	
Wake-up method	CAN 、 KL15 、 High Voltage	
Communication method	CAN-BUS	
Quiescent Current	≤2mA	Consume battery current in sleep/stop state
Protection characteristics	Input OVP/UVP, output OVP/UVP,OTP, input reverse protection, output short circuit protection, OCP, OTP	
EMC characteristics	GB/T 18655-2010	
Dimensions	262x180x120mm	
Cooling System	Fan cooling	
Protection Level	IP67	
Weight	≤3KG	





Structural parameters



Connector model

Position	Socket model	Function	Brand	Plug model
A	RT00122PN03	DC Input	Amphenol	RT06122SNHEC03
B	RT00128PN03	Signal Control	Amphenol	RT06128SNHEC03
C	GH01-F200-1NNB-T21	Input Positive	Guoweitong	M8 Screw
D	M8 Bolt	Input Negative	\	M8 Screw

Interface definition

DC Input(A)		Signal Control(B)		Input Positive©	
A	Input +	A	NC	+	Input +
B	Input -	B	CANL		
1	NC	C	CANH		
2	NC	D	Shield		
		E	GND		
		F	NC		
		G	NC		
		H	Enable		

