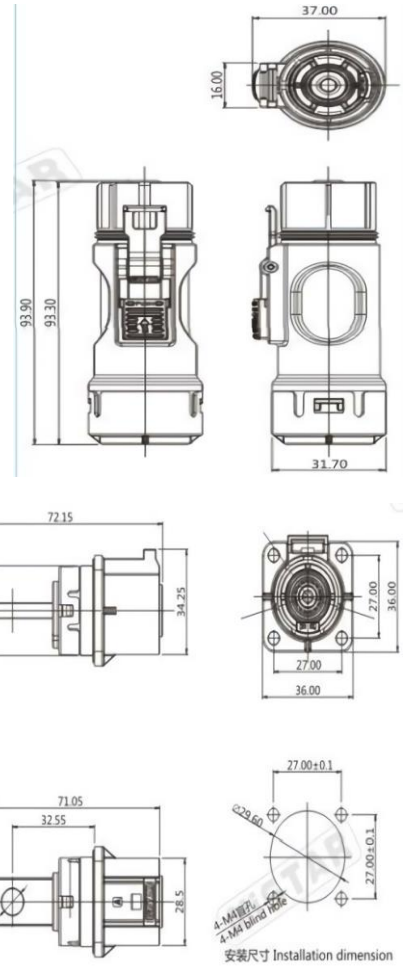


Model No. : AR-NI1-1-S100-CXX, AR-NI1-1-H100-TXX
Product Name : HVC 180° 1POS 10mm Metallic Connector (250A series)



Application :

- PDU, Air conditioning, Defrosting, Electric heating, DCDC

Description :

- Rated Voltage : 800V AC/DC
- Rated Current : From 200A to 250A
- Insulation resistance : $\geq 500M\Omega$
- Withstand voltage : 3500VAC
- Operating Temperature : $-40^{\circ}C \sim 125^{\circ}C$
- Cable range : 50mm-70mm² wire
- Shielding : 360° shielding
- Mating Cycles : >100
- IP Class : IP67, IP6K9K (Mated)
- Number of Positions : 1 POS
- HVIL

Performance :

- 10mm pin
- Excellent Electrical Insulation
- Secondary buckle
- Various Wire Diameter Application
- Multi Misplug-proof and key position design

Part Number Information

Right Angle Plug	Pos Number	Key	HVIL	Color	Wire Spec
NI1-1-S100-	1	A	Y/N	A	C10 (50mm ²)
		Y		B	C11 (70mm ²)
		U		Y	/
		V		G	/
		W		R	/

Receptacle	Pos Number	Key	HVIL	Color	Wire Spec
NI1-1-H100-	1	A	Y/N	A	T03 (Ø6.5mm Through-hole)
		Y			T04 (Ø8.5mm Through-hole)
		U			T05 (Ø10.5mm Through-hole)
		V			TBD (Customized hole shape & size)
		W			/

Note : Color code A stands for Orange, B stands for Black, Y stands for Yellow, G stand for Green, R stands for Red.